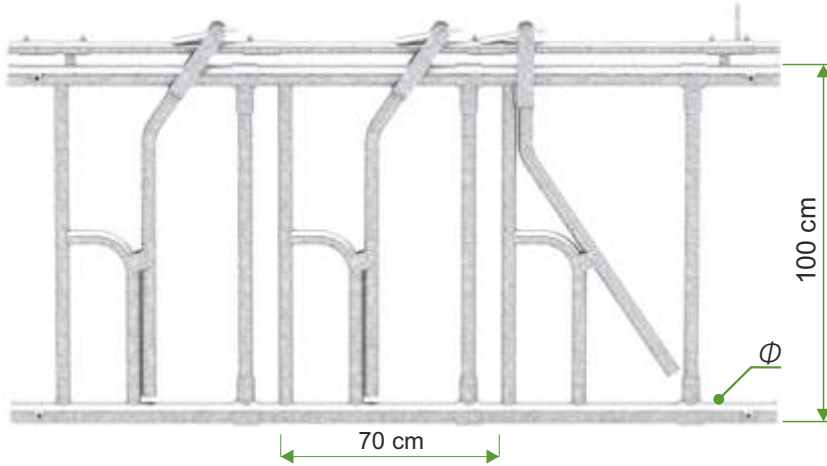


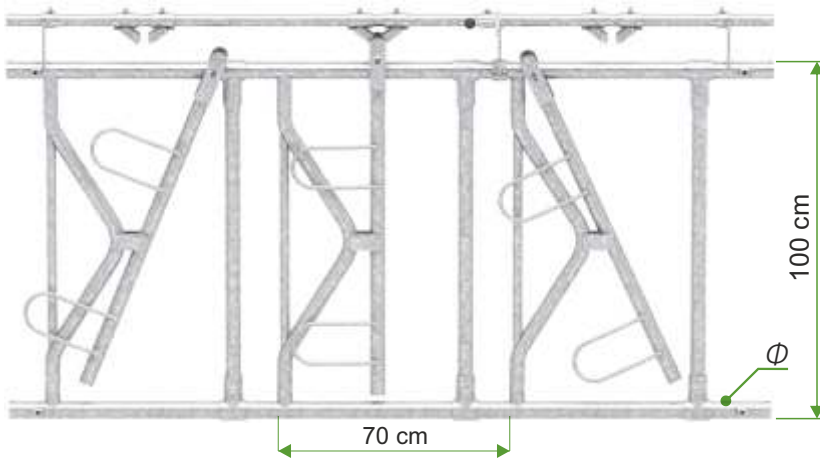




**HEADLOCK FEEDING FENCE DPZ 1,5 , DPZ 2**

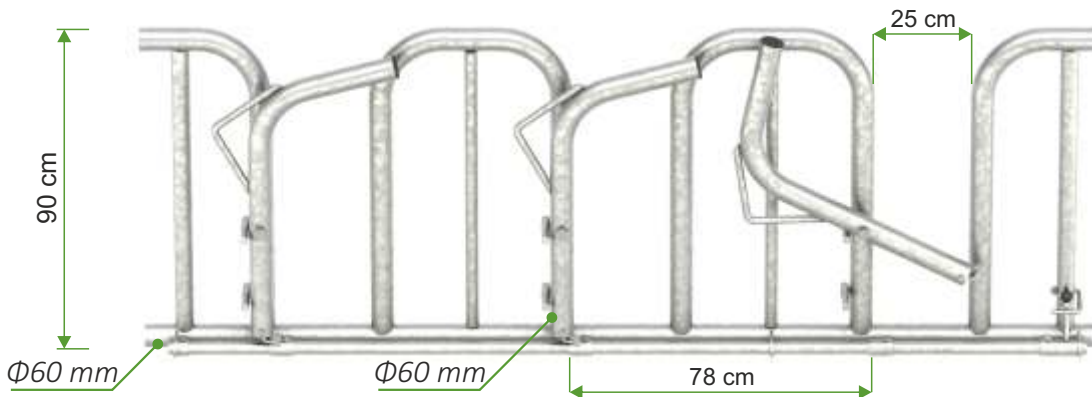


**HEADLOCK FEEDING FENCE DPZ 3 , DPZ 4**



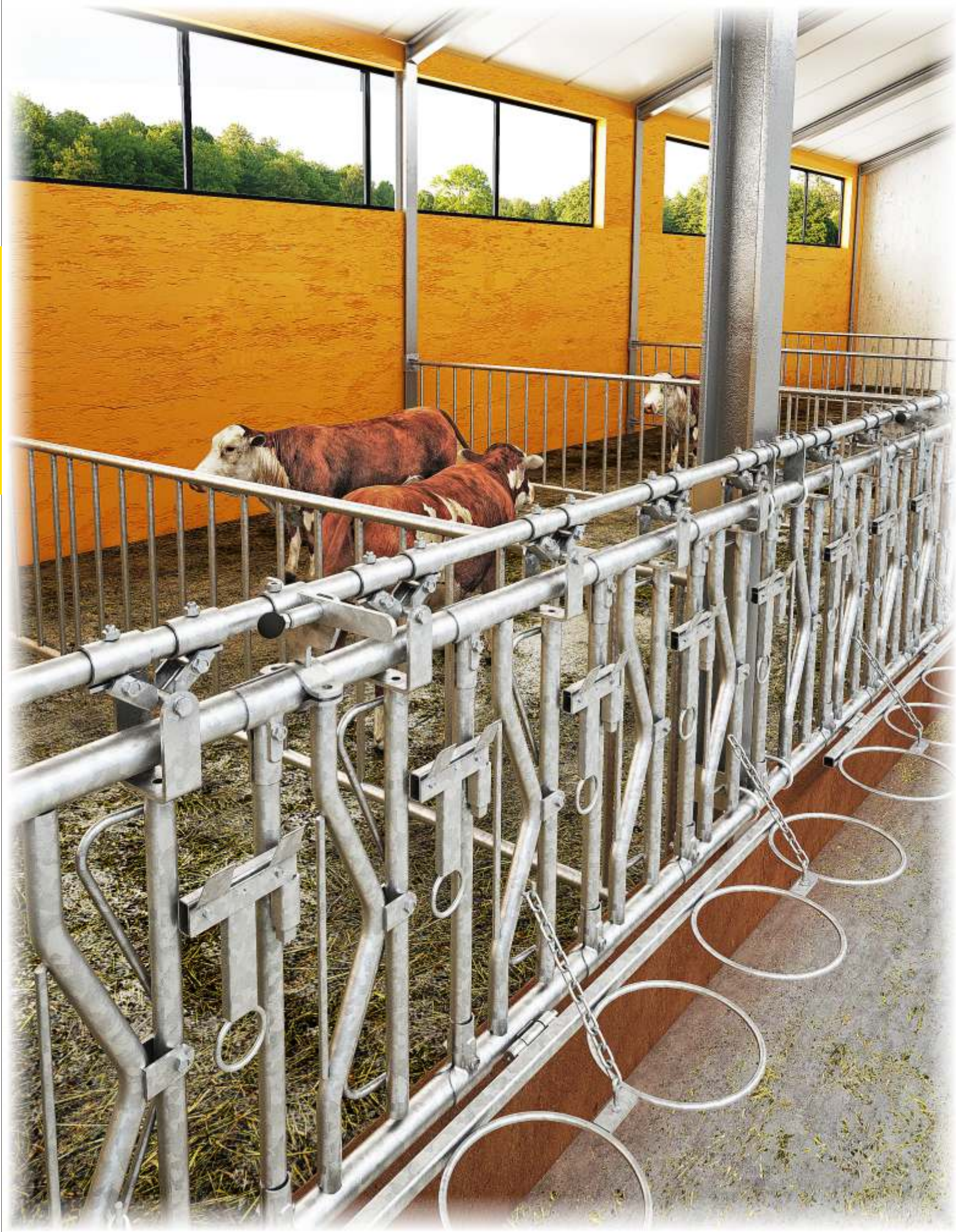
- |   |                  |   |     |
|---|------------------|---|-----|
| 1 | <b>W10-04-57</b> | Headlock feeding fence DPZ 1,5 HDG ( Φ 48,3 mm)               | pcs |
| 2 | <b>W10-04-62</b> | Headlock feeding fence DPZ 2 HDG ( Φ 60,3 mm)                 | pcs |
| 3 | <b>W10-05-62</b> | Headlock feeding fence gate DPZ HDG ( assembly elements inc.) | pcs |
| 4 | <b>W10-04-64</b> | Headlock feeding fence DPZ 3 HDG ( Φ 48,3 mm)                 | pcs |
| 5 | <b>W10-04-69</b> | Headlock feeding fence DPZ 4 HDG ( Φ 60,3 mm)                 | pcs |
| 6 | <b>W10-05-62</b> | Headlock feeding fence gate DPZ HDG ( assembly elements inc.) | pcs |

**OPENABLE HEADLOCK FEEDING FENCE DPPZ**



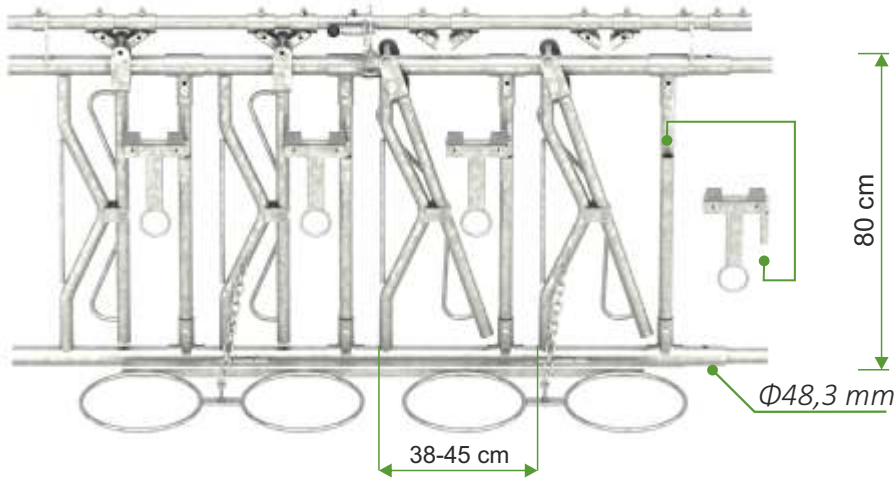
- |   |                  |  |     |
|---|------------------|--|-----|
| 7 | <b>W10-04-72</b> | Openable headlock feeding fence DPPZ HDG                               | pcs |
| 8 | <b>W10-05-62</b> | Openable headlock feeding fence gate DPZ HDG ( assembly elements inc.) | pcs |

HDG - anti-corrosion protection - hot-dip galvanized.





### CALF HEADLOCK FEEDING FENCE

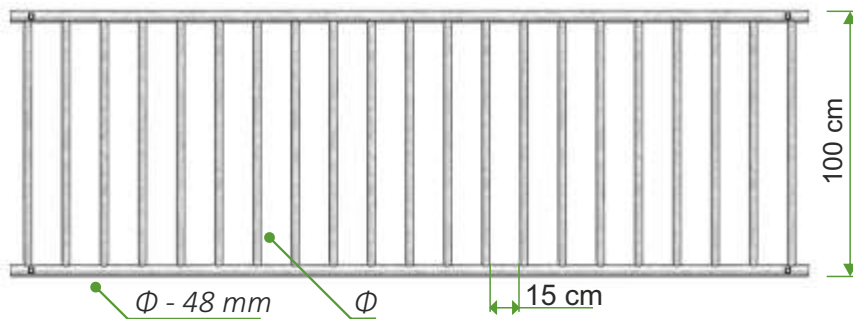


- 1 **W10-04-94** Calf headlock feeding fence DPZC HDG
- 2 **W10-05-62** Calf headlock feeding fence gate DPZ HDG ( assembly elements inc.)

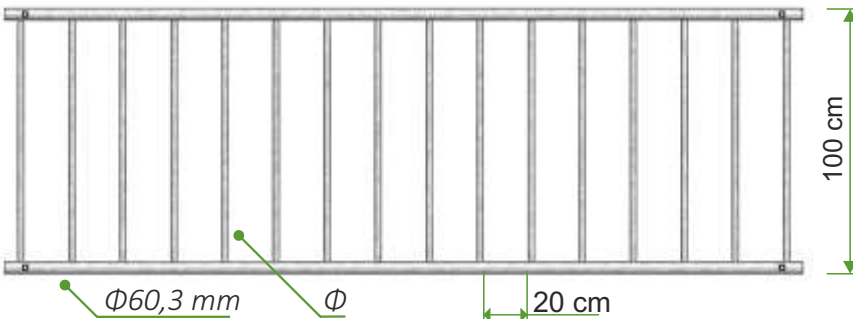
pcs  
pcs

### CALF DIVIDER

#### PKC 1 - 1, PKC 1 - 2



#### PKC 2 - 1, PKC 2 - 2



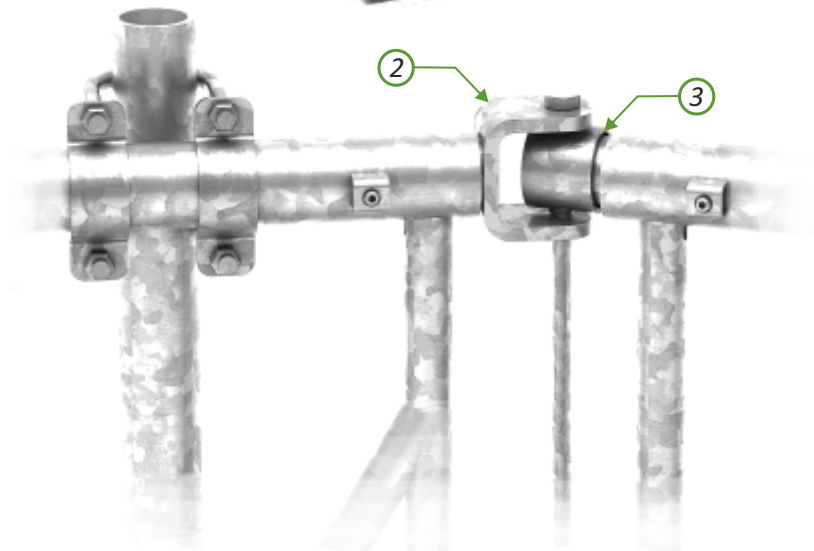
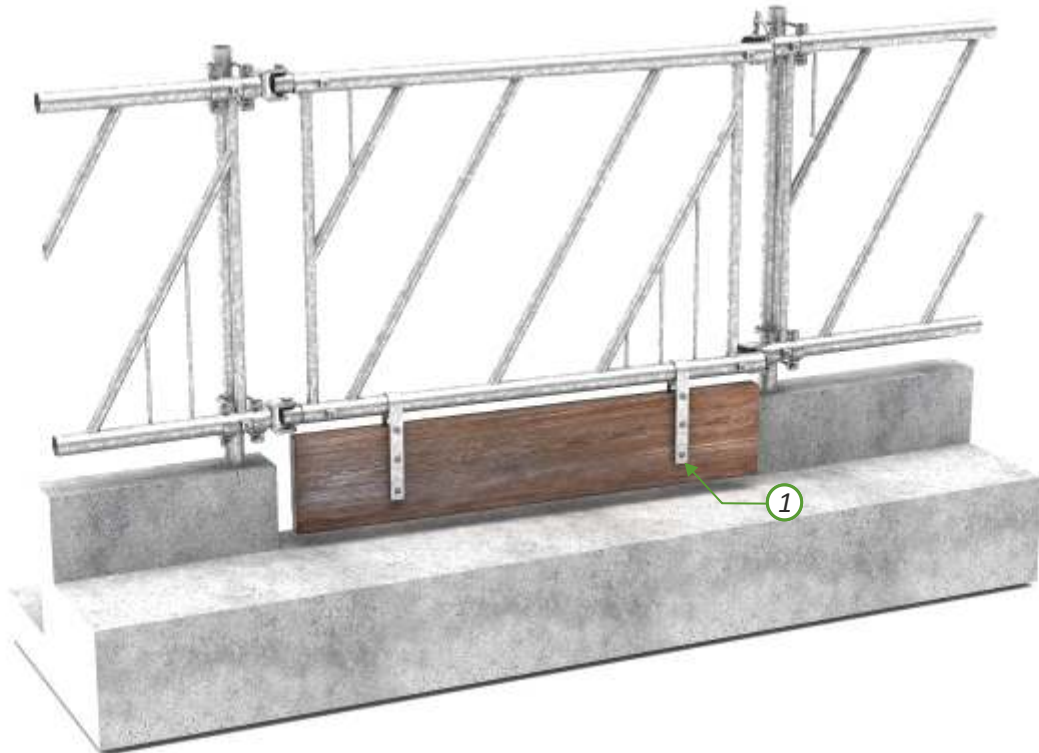
- 1 **W10-14-03** Calf divider PKC 1 - 1 HDG (  $\Phi$  26,9 mm)
- 2 **W10-14-06** Calf divider PKC 1 - 2 HDG (  $\Phi$  33,7 mm)
- 3 **W10-14-32-50** Calf pen gate FKC 1 - 1 HDG (  $\Phi$  26,9 mm)
- 4 **W10-14-35-50** Calf pen gate FKC 1 - 2 HDG (  $\Phi$  33,7 mm)
- 5 **W10-14-12** Calf divider PKC 2 - 1 HDG (  $\Phi$  26,9 mm)
- 6 **W10-14-15** Calf divider PKC 2 - 2 HDG (  $\Phi$  33,7 mm)
- 7 **W10-14-44-50** Calf pen gate FKC 2 - 2 HDG (  $\Phi$  26,9 mm)
- 8 **W10-14-47-50** Calf pen gate FKC 2 - 3 HDG (  $\Phi$  33,7 mm)

m  
m  
pcs  
pcs  
m  
m  
pcs  
pcs

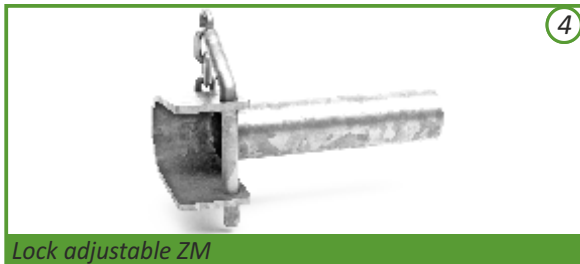
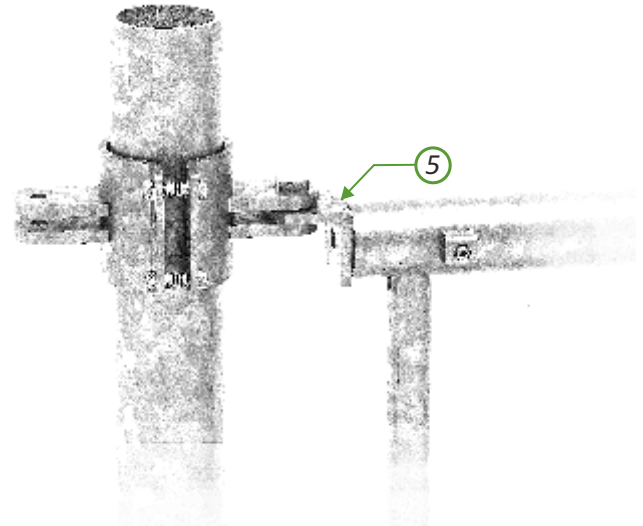
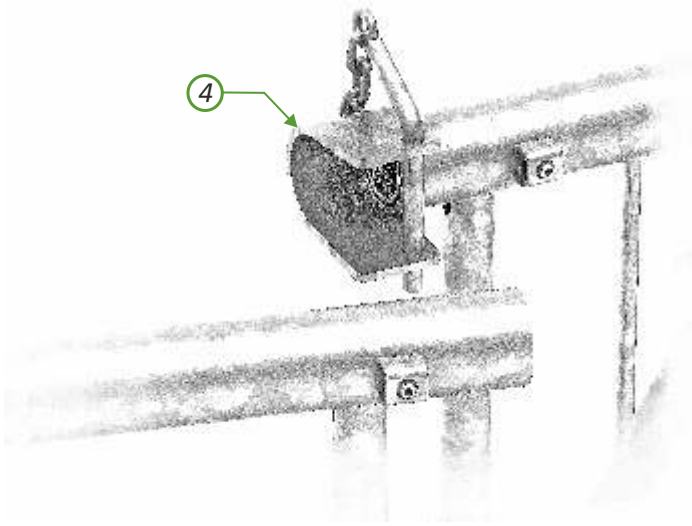
HDG - anti-corrosion protection - hot-dip galvanized.



## FEEDING FENCES - SYSTEM ELEMENTS



- |     |                     |                               |     |
|-----|---------------------|-------------------------------|-----|
| 1   | <b>W10-02-44</b>    | Board holder 1,5" HDG         | pcs |
| 1.1 | <b>W10-02-45</b>    | Board holder 2" HDG           | pcs |
| 2   | <b>P10-04-39-03</b> | Zawias regulowany ZR 1,5" HDG | pcs |
| 2.1 | <b>P10-04-39-04</b> | Adjustable hinge ZR 2" HDG    | pcs |
| 3   | <b>P10-01-30</b>    | Gate hinge ZFR 1 HDG          | pcs |
| 3.1 | <b>P10-01-31</b>    | Gate hinge ZFR 2 HDG          | pcs |
- HDG - anti-corrosion protection - hot-dip galvanized.



Lock adjustable ZM

Horizontal adjustable connector DP



Horizontal connector DP

Feeding Pipe hanger

4	<b>P10-01-28</b>	Lock adjustable ZM 1 HDG	pcs
4.1	<b>P10-01-29</b>	Lock adjustable ZM 2 HDG	pcs
5	<b>P10-04-88</b>	Horizontal adjustable connector DP 1,5 HDG	pcs
5.1	<b>P10-04-89</b>	Horizontal adjustable connector DP 2 HDG	pcs
6	<b>P10-01-15</b>	Horizontal connector DP 1,5 HDG	pcs
6.1	<b>P10-01-14</b>	Horizontal connector DP 2 HDG	pcs
7	<b>W10-92-19</b>	Feeding Pipe hanger HDG	pcs

HDG - anti-corrosion protection - hot-dip galvanized.