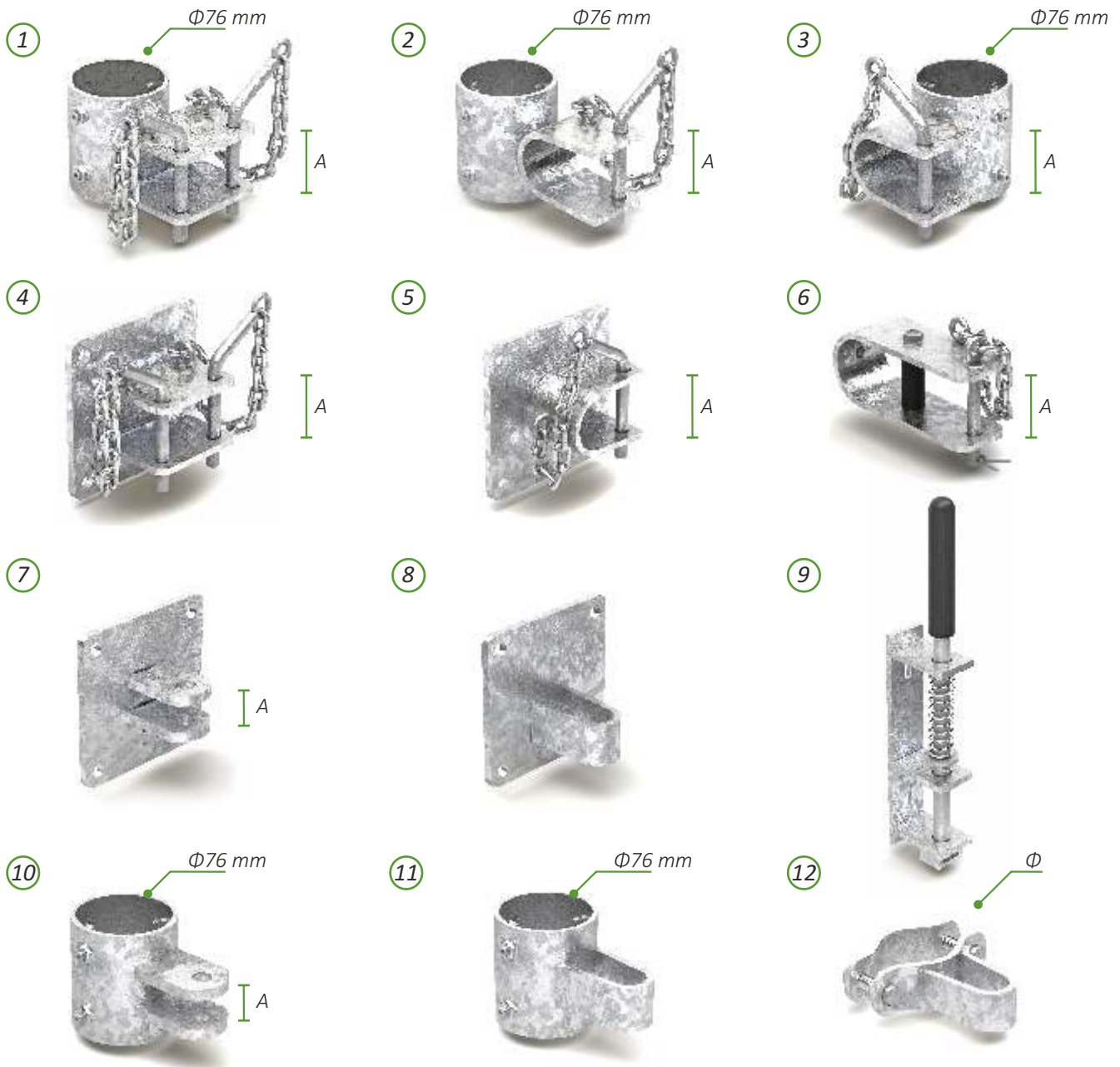




## LOCKS AND HINGES



			DIAMETER $\Phi$ mm	DIMENSION A mm	
1	<b>P10-04-28-03</b>	Pipe lock ZMR76-P1-1-I HDG	76	50	set
1.1	<b>P10-04-28-04</b>	Pipe lock ZMR76-P2-1-I HDG	76	62	set
2	<b>P10-04-28-05</b>	Pipe lock ZMR76-U3-1-I HDG	76	50	set
2.1	<b>P10-04-28-06</b>	Pipe lock ZMR76-U4-1-I HDG	76	62	set
3	<b>P10-04-28-07</b>	Pipe lock ZMR76-U1-1-I HDG	76	50	set
3.1	<b>P10-04-28-08</b>	Pipe lock ZMR76-U2-1-I HDG	76	62	set
4	<b>P10-04-28-11</b>	Wall lock ZMS-P1-1-I HDG		50	set
4.1	<b>P10-04-28-12</b>	Wall lock ZMS-P2-1-I HDG		62	set
5	<b>P10-04-28-13</b>	Wall lock ZMS-U1-1-I HDG		50	set
5.1	<b>P10-04-28-14</b>	Wall lock ZMS-U2-1-I HDG		62	set
6	<b>P10-04-28-15</b>	Wall lock ZMC 1 HDG		62	set
7	<b>P10-04-28-16</b>	Lock ZMS-Z1-1-I HDG		25	pcs
8	<b>P10-04-28-17</b>	Wall lock ZMS-S1-1-I HDG			pcs
9	<b>P10-04-28-02</b>	Spring lock ZFSP HDG			pcs
10	<b>P10-04-28-09</b>	Pipe lock ZMR76-Z1-1-I HDG	76		pcs
11	<b>P10-04-28-10</b>	Pipe lock ZMR76-S1-1-I HDG	76		pcs
12	<b>P10-04-28-18</b>	Pipe lock ZMR60-S1-1-I HDG	60 - 76		pcs

HDG - anti-corrosion protection - hot-dip galvanized.



**CONNECTORS**

1



Usage:  
- for fixing free-stall dividers neck rails.

- 1 **W10-90-06** Cross clamp HDG
- 2 **T10-90-340** Angle cross clamp 33 INOX
- 2.1 **T10-90-370** Angle cross clamp 48 INOX
- 2.2 **T10-90-390** Angle cross clamp 60 INOX

2



Usage:  
- for fixing free-stall dividers neck rails.

- set
- pcs
- pcs
- pcs

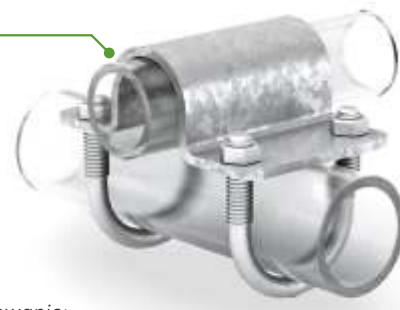
3



Usage:  
- for fixing feeding fences;  
- for fixing free-stall dividers main pipes.

- 3 **W10-90-46** Mounting clamp HDG pcs
- 3.1 **W10-90-51** Small mounting clamp HDG pcs
- 4 **W10-91-35** Cross conector 1 1/2" - 2" HDG pcs
- 4.1 **W10-91-39** Cross conector 1 1/2" - 1 1/2" HDG pcs
- 4.2 **W10-91-41** Cross conector 2" - 2" HDG pcs
- 4.3 **W10-91-43** Cross conector 2,5" - 2" HDG pcs

4



Zastosowanie:  
- for fixing free-stall dividers neck rails;  
- for fixing horizontal pipes 1 1/2", 2", 2 1/2".

5



Usage:  
- for fixing Kombibox divider with Kombibox arch;  
- for fixing feeding fences made from pipe 1 1/2" and 2";  
- for fixing pipe 1 1/2" and 2";  
- for fixing dividers type VII and X main pipes.

- 5 **T10-90-140** U-shaped clamp C 42 INOX pcs
- 5.1 **T10-90-150** U-shaped clamp C 48 INOX pcs
- 5.2 **T10-90-160** U-shaped clamp C 60 INOX pcs
- 5.3 **T10-90-180** U-shaped clamp C 76 INOX pcs
- 5.4 **T10-90-190** U-shaped clamp C 90 INOX pcs
- 5.5 **T10-90-270** U-shaped clamp C 133 INOX pcs
- 5.6 **T10-90-290** U-shaped clamp C 159 INOX pcs
- 5.7 **T10-90-320** U-shaped clamp C 250 INOX pcs
- 5.8 **T10-90-330** U-shaped clamp C 300 INOX pcs
- 6 **W10-92-14** Wall mount 48 HDG pcs
- 6.1 **W10-92-17** Wall mount 60 HDG pcs

HDG - anti-corrosion protection - hot-dip galvanized.

6



Usage:  
- for fixing feeding fences made from pipe 1 1/2 " and 2 " to wall;  
- for fixing neck rails dividers type VII, III, IX, X to wall.



7



Usage:

- for fixing free-stall type VII and free-stall type X with main pipe.

- 7 **T10-91-68** T-shaped clamp 2" x 2" HDG set
- 7.1 **T10-91-720** T-shaped clamp 2 1/2 x 1 1/2" HDG set
- 7 **T10-91-725** T-shaped clamp 2 1/2 x 2 HDG set
- 8.1 **W10-91-83** Double T-clamp 2" / 2" HDG set

8



Usage:

- for head fixing free-stall type VII and for fixing free-stall type X with main pipe in double rows boxes.

9



Usage:

- for fixing free-stall types III, VII, IX, X dividers neck rails;  
- for fixing free-stall types III, VII, IX, X dividers main pipes;  
- for fixing neck rails insted of using feeding fences.

- 9 **W10-92-26** 1,5" Pipe HDG conector pcs
- 9.1 **W10-92-27** 2" Pipe HDG conector pcs
- 10 **W10-91-12** Straigh pipe conector 1 1/2" pipe HDG set
- 10.1 **W10-91-14** Straigh pipe conector 2" pipe HDG set

10



Usage:

- for fixing free-stall types III, VII, IX, X dividers neck rails;  
- for fixing free-stall types III, VII, IX, X dividers main pipes;  
- for fixing neck rails insted of using feeding fences.

11



- made of low-density polyethylene;  
- usage as tube or post cup.

- 11 **T32-31-050** PVC cup 1" pcs
- 11.1 **T32-31-060** PVC cup 1 1/4" pcs
- 11.2 **T32-31-070** PVC cup 1 1/2" pcs
- 11.3 **T32-31-080** PVC cup 2" pcs
- 11.4 **T32-31-100** PVC cup 2 1/2" pcs
- 12 **W10-04-99** Holder for feeding fences HDG pcs

HDG - anti-corrosion protection - hot-dip galvanized.

12



Usage:

- for fixing 2" horizotnal pipes;;  
- for fixing feeding fences in bend over position.