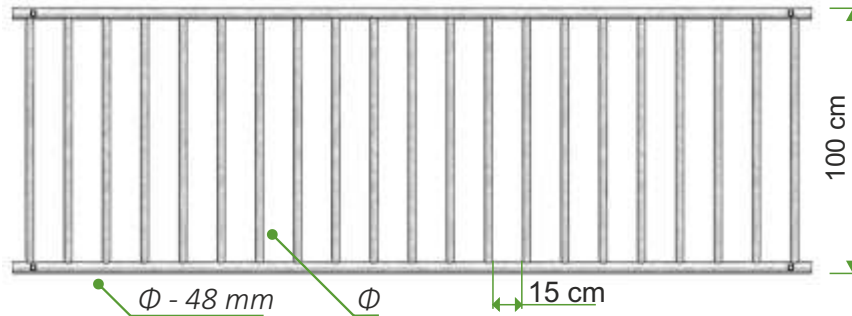


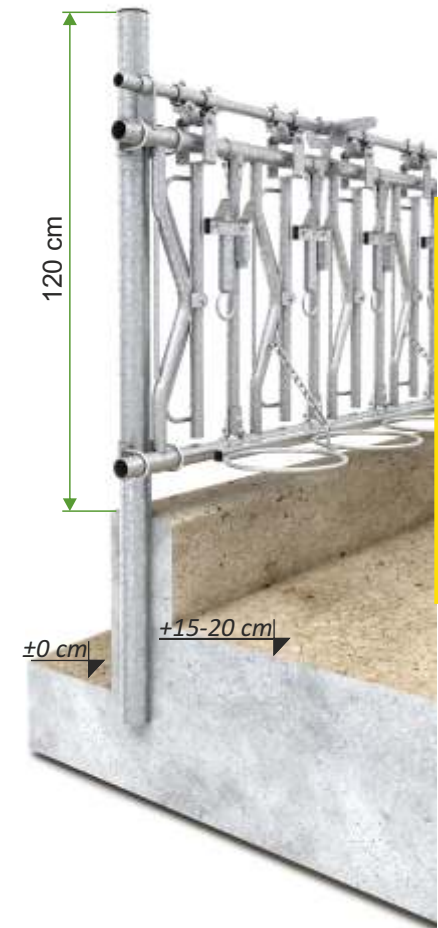
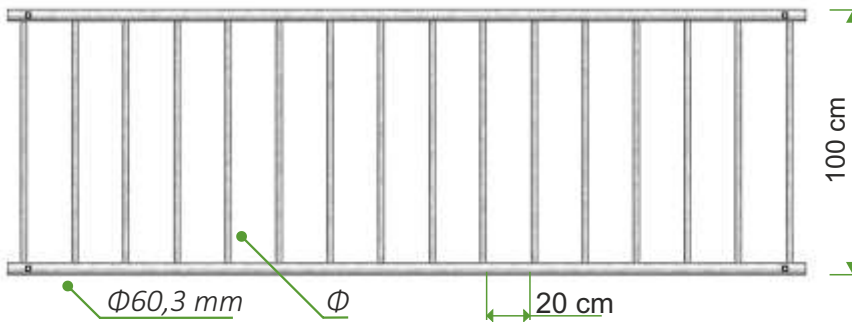


CALF DIVIDER

PKC 1 - 1, PKC 1 - 2



PKC 2 - 1, PKC 2 - 2



- | | | |
|---|---------------------|--|
| 1 | W10-14-03 | Calf divider PKC 1 - 1 HDG (Φ 26,9 mm) |
| 2 | W10-14-06 | Calf divider PKC 1 - 2 HDG (Φ 33,7 mm) |
| 3 | W10-14-32-50 | Calf pen gate FKC 1 - 1 HDG (Φ 26,9 mm) |
| 4 | W10-14-35-50 | Calf pen gate FKC 1 - 2 HDG (Φ 33,7 mm) |
| 5 | W10-14-12 | Calf divider PKC 2 - 1 HDG (Φ 26,9 mm) |
| 6 | W10-14-15 | Calf divider PKC 2 - 2 HDG (Φ 33,7 mm) |
| 7 | W10-14-44-50 | Calf pen gate FKC 2 - 2 HDG (Φ 26,9 mm) |
| 8 | W10-14-47-50 | Calf pen gate FKC 2 - 3 HDG (Φ 33,7 mm) |

m
m
pcs
pcs
m
m
pcs
pcs

HDG - anti-corrosion protection - hot-dip galvanized.