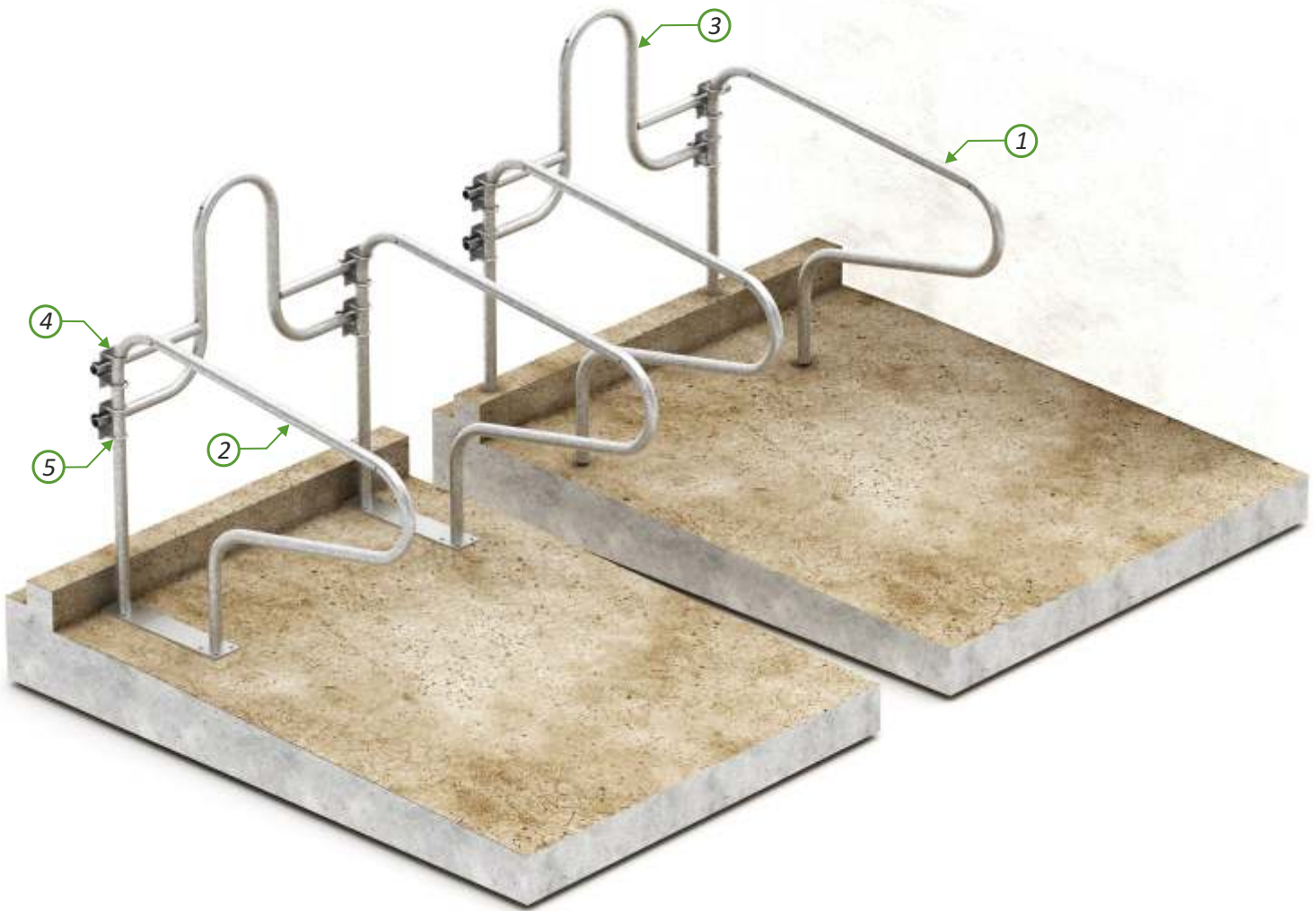




SYSTEM ELEMENTS



Cross connector 1 1/2" - 1 1/2"



U-shaped clamp C 48 inox



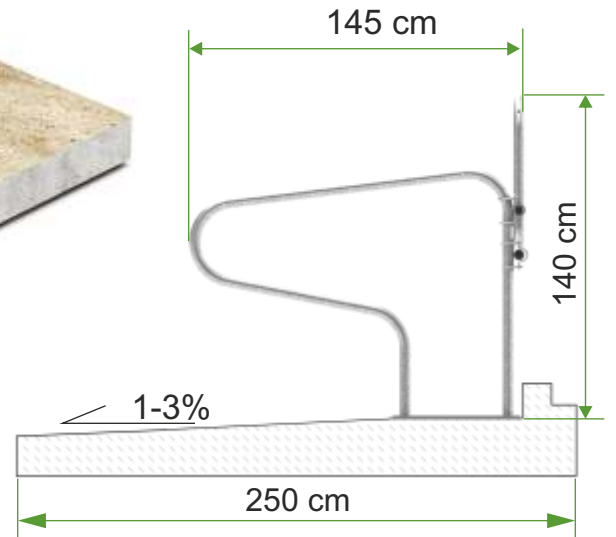
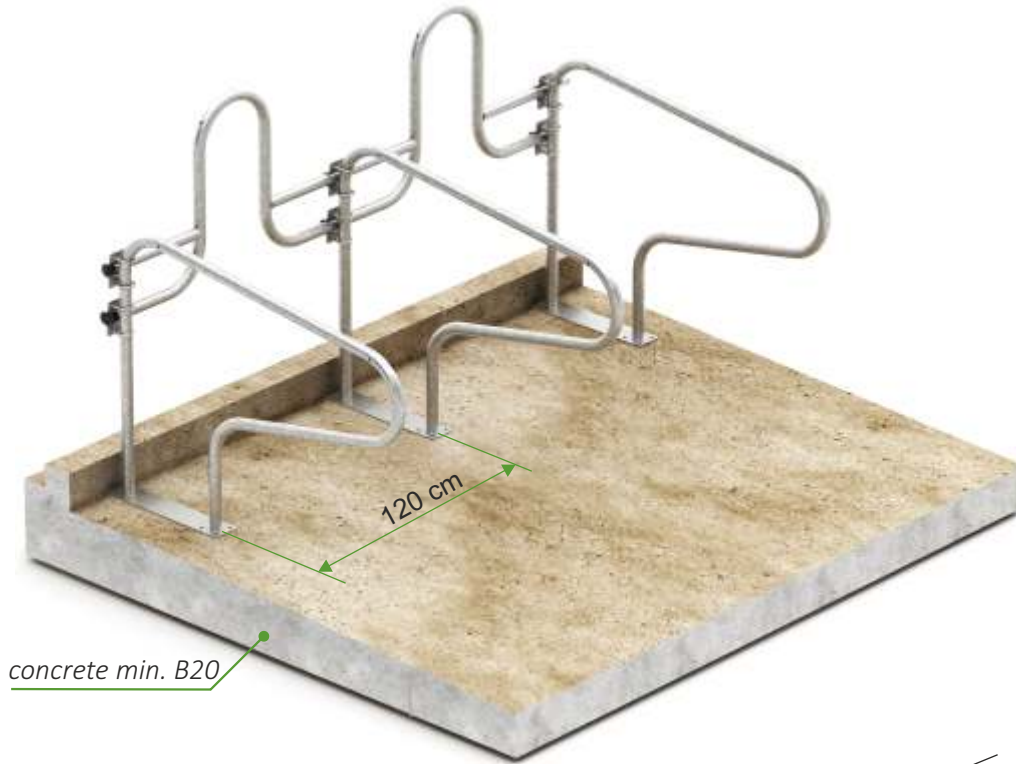
Cross clamp HDG

1	<b>W10-02-03</b>	Kombibox divider HDG	pcs
2	<b>W10-02-07</b>	Kombibox divider P HDG	pcs
3	<b>W10-02-12</b>	Kombibox arch HDG	pcs
4	<b>W10-91-39</b>	Cross connector 1 1/2" - 1 1/2" HDG	pcs
5	<b>T10-90-150</b>	U-shaped clamp C 48 inox	pcs
6	<b>W10-90-06</b>	Cross clamp HDG	set

\* - Cross connector 1 1/2" - 1 1/2" (4\*) or cross clamp - option to choose. (6\*) Assembly br screws M10x40 (4 pcs) - not.  
HDG - anti-corrosion protection - hot-dip galvanized.



**KOMBIBOKS P. - version for screwing**



**KOMBIBOKS - version to place in concrete**

